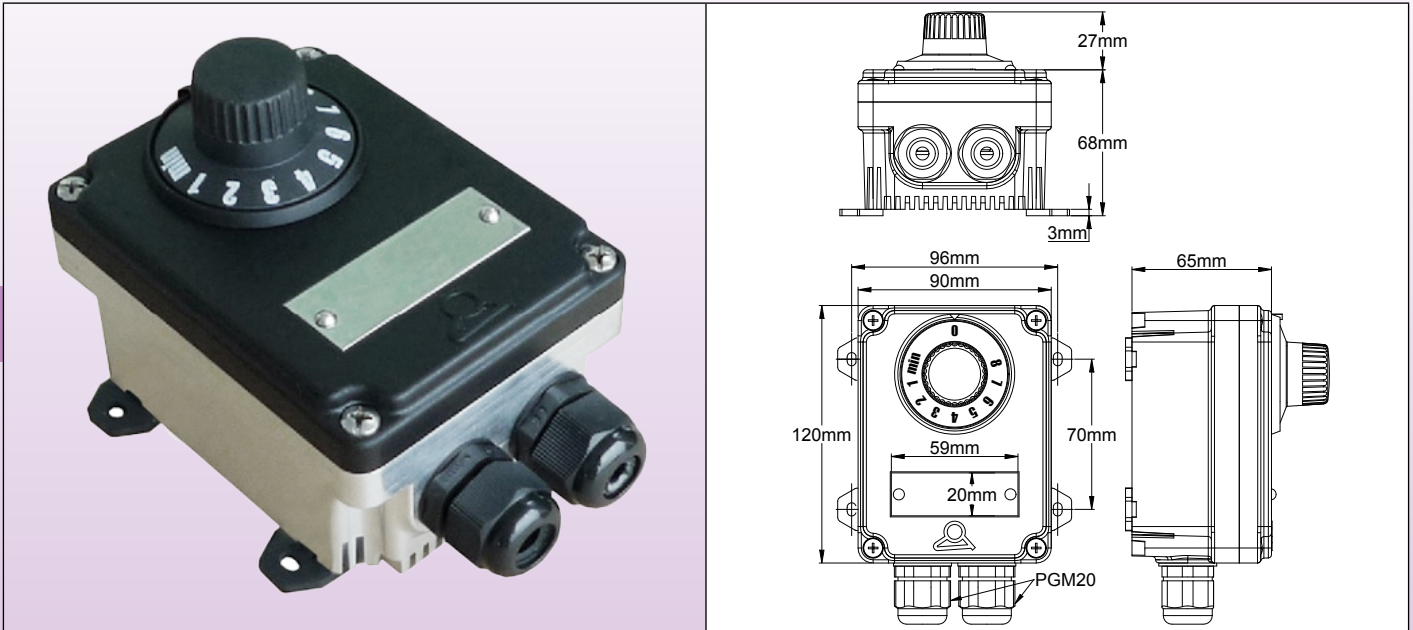


# Controls for air heating



## Electromechanical energy regulators with IP54 protection housing. Type 3AE



### Applications

Cost saver solution for power control of high thermal inertia heating elements (thermal cycling device), used in professional and commercial premises, barns, stables, hen houses, poultry breeding.

### Main features

**Set point display:** Knob graduated from min to 8.

Min position provides about 5% of the power, and 8 about 100%, non-linear curve.

Zero position provides full disconnection of line and neutral.

**Output:** Cyclic open and close of an electrical contact with a cycle time of 20 to 30s for use high thermal inertia heating elements or convection heating. Not to be used on low thermal inertia medium and long infrared emitters.

**Electrical rating:** 12A 250V

**Enclosure:** 120 x 70 x 65mm, rear in aluminum with cooling fins, front in black PA66.

**Protection class:** IP54

**Mounting:** Wall mounting, with 4 removable legs, 70 x 96mm distance

**Internal Connection:** 4 ways 6mm<sup>2</sup>, ceramic terminal block. (2 power input terminals, 2 power output terminals ). 2 earth terminals.

**Cables Input-Output:** By 2 cable glands, M20, polyamide.

**Residual voltage at off:** 0 V

**Leakage current at off:** 0 mA

**Ambient temperature:** -20 to +70°C

**Insulation Voltage:** 1500VAC

**Insulation resistance:** 50MΩ/500VDC

**Important:**

- Install this unit in a line with an appropriate circuit breaker.

- Not to be used for electric motor speed control

### Main references

Reference	Voltage	Reference	Voltage
3AER102TF024V	24	3AER101TF230V	230
3AER102TF048V	48	3AER104TF400V	400
3AER105TF110V	110		

Because of permanent improvement of our products, drawings, descriptions, features used on these data sheets are for guidance only and can be modified without prior advice